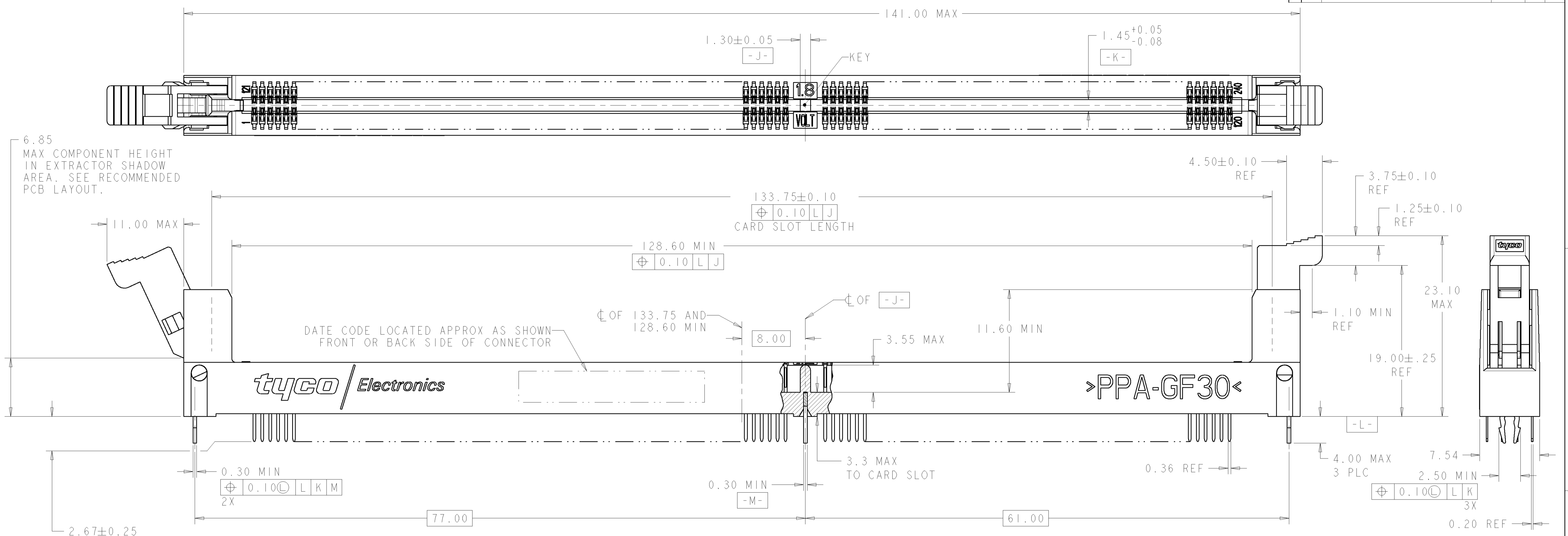
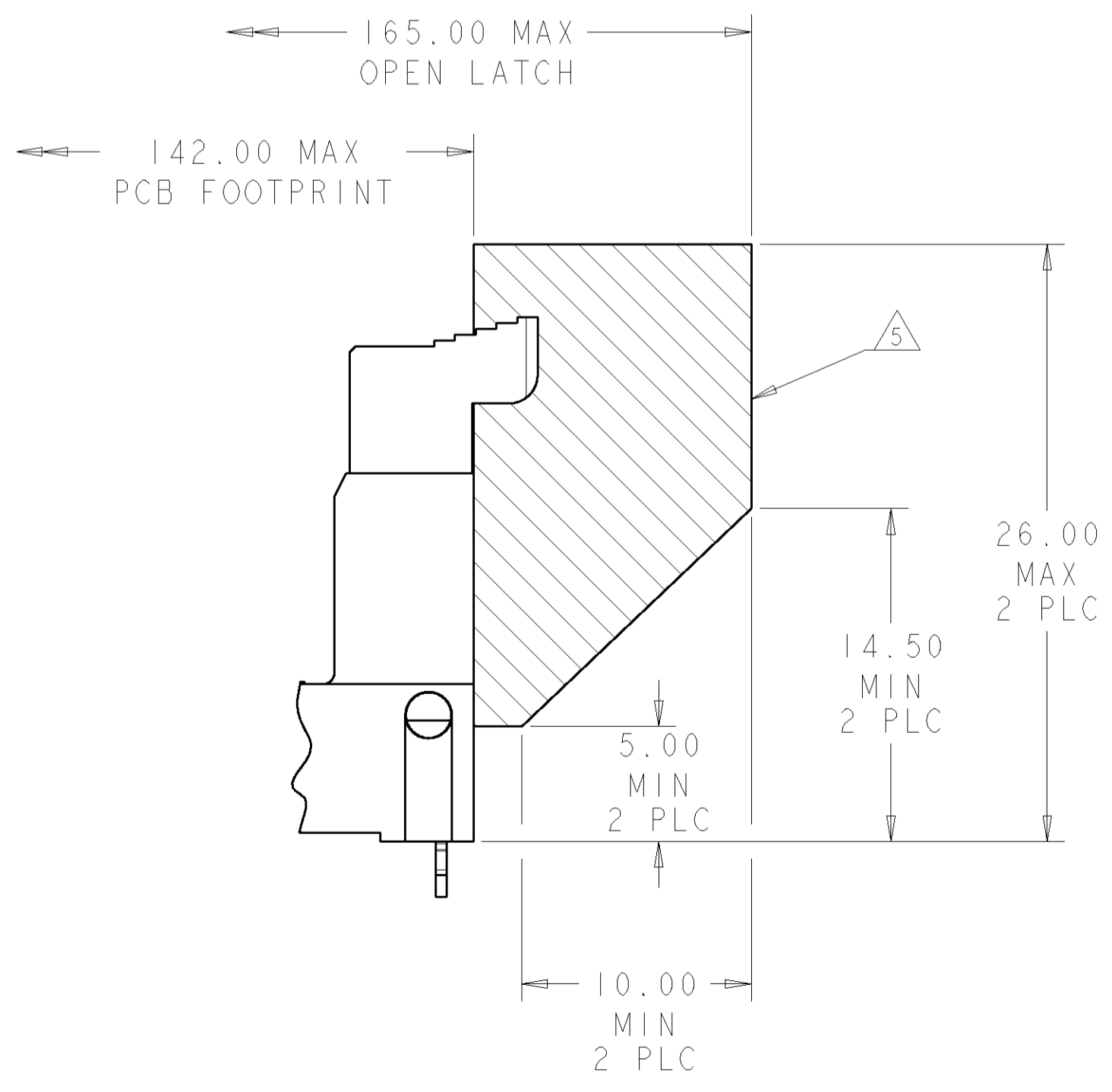


LOC	DIST	REV	DESCRIPTION	DATE	DRN	APPR
GP	00	A	RELEASE PER ECO-05-009687	20SEP2005	DRR	MY
		B	REVISED PER ECO-05-015421	06DEC2005	DRR	LZ



- 2.67±0.25 FOR 1.60 (.063") THK PCB
- 3.18±0.25 FOR 2.36 (.093") THK PCB
- 4.00±0.25 FOR 3.18 (.125") THK PCB

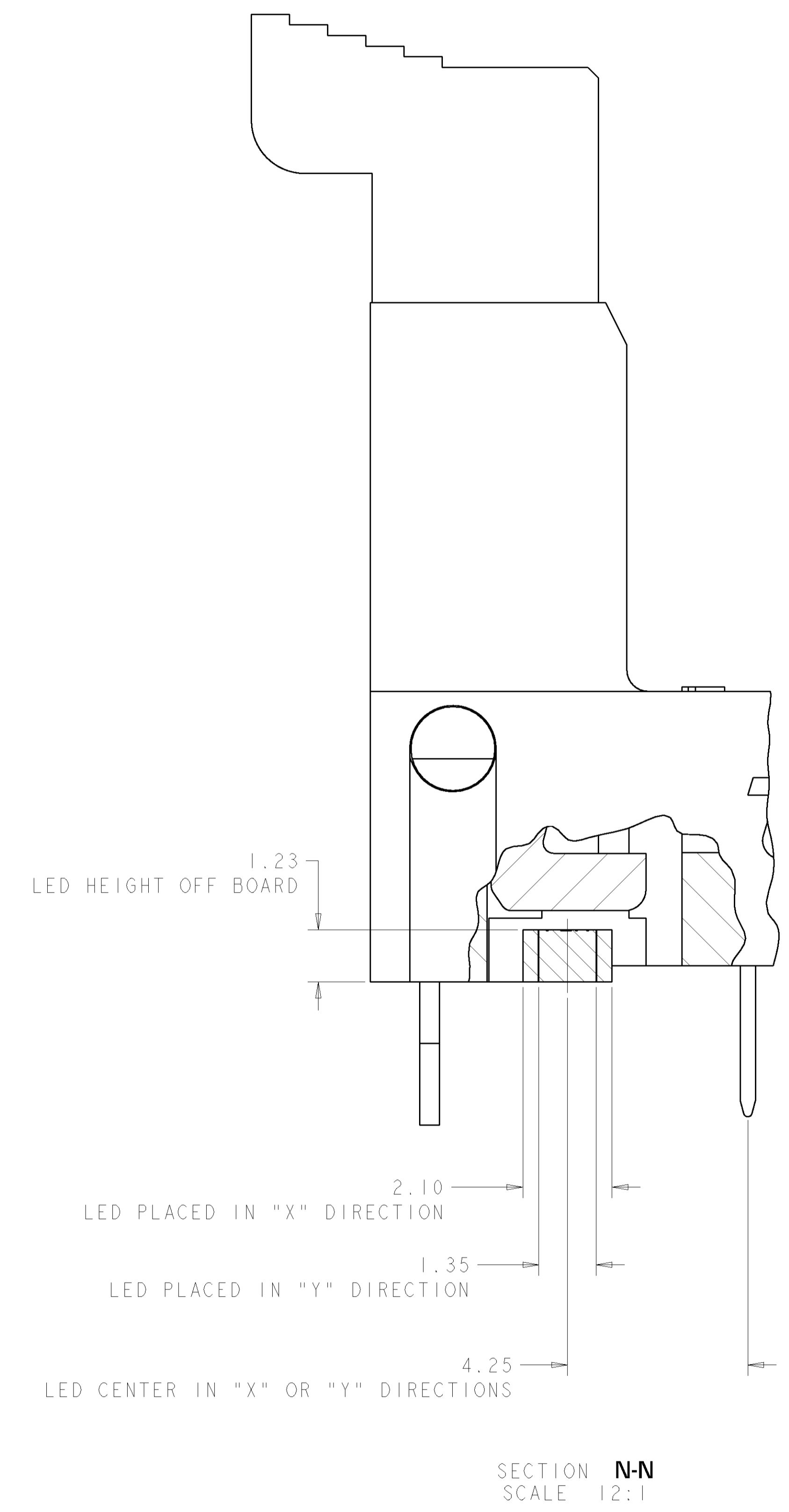
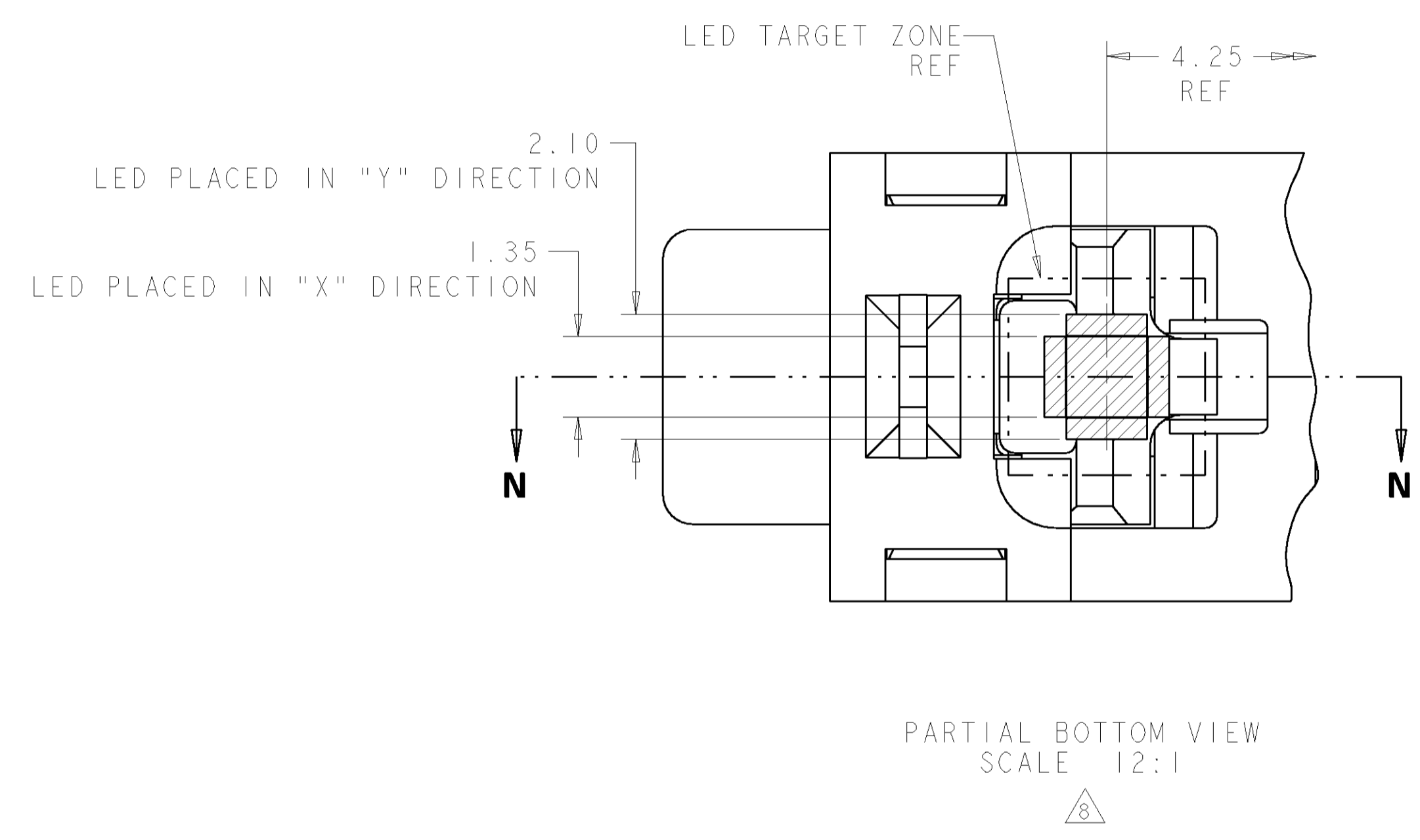


- MATERIALS:**
- HOUSING: HIGH TEMPERATURE NYLON, BLACK, UL94 V-0
  - EXTRACTOR: HIGH TEMPERATURE THERMOPLASTIC
  - CONTACTS: COPPER ALLOY
  - RETENTION BARB: STAINLESS STEEL
- INTERFACE FINISH:**
- (1) 0.00076 MIN THK GOLD OVER 0.00127 MIN THK NICKEL
  - (2) 0.00038 MIN THK GOLD OVER 0.00127 MIN THK NICKEL
  - (3) 0.00008 MIN THK GOLD OVER 0.00127 MIN THK NICKEL
- FINISHED HOLE SIZE. 0.15 MAXIMUM ANNULAR RING.
  - KEEP OUT ZONE.
  - KEEP OUT AREA RESERVED FOR SOCKET EXTRACTORS, BOTH ENDS.
  - SOLDERTAIL FINISH: 0.00300 MIN THK BRIGHT TIN-LEAD OVER 0.00127 MIN THK NICKEL.
  - SOLDERTAIL FINISH: 0.00300 MIN THK MATTE TIN OVER 0.00127 MIN THK NICKEL.
  - LED LOCATION AS APPLICABLE PER CUSTOMER.
  - DATUM -G- IS CONNECTOR SIDE SURFACE OF PCB.

	BLACK	△	0.00038 MIN	4.00	2-1761024-4
				3.18	2-1761024-3
				2.67	2-1761024-2
	BLACK	△	0.00076 MIN	4.00	2-1761024-1
				3.18	2-1761024-0
				2.67	1-1761024-9
				4.00	1-1761024-8
		△	0.00008 MIN	3.18	1-1761024-7
				2.67	1-1761024-6
				4.00	1-1761024-5
	NATURAL	△	0.00038 MIN	3.18	1-1761024-4
				2.67	1-1761024-3
	NATURAL	△	0.00076 MIN	4.00	1-1761024-2
				3.18	1-1761024-1
				2.67	1-1761024-0
		△	0.00008 MIN	4.00	1761024-9
				3.18	1761024-8
				2.67	1761024-7
				4.00	1761024-6
		△	0.00038 MIN	3.18	1761024-5
				2.67	1761024-4
				4.00	1761024-3
		△	0.00076 MIN	3.18	1761024-2
				2.67	1761024-1
				4.00	1761024-0

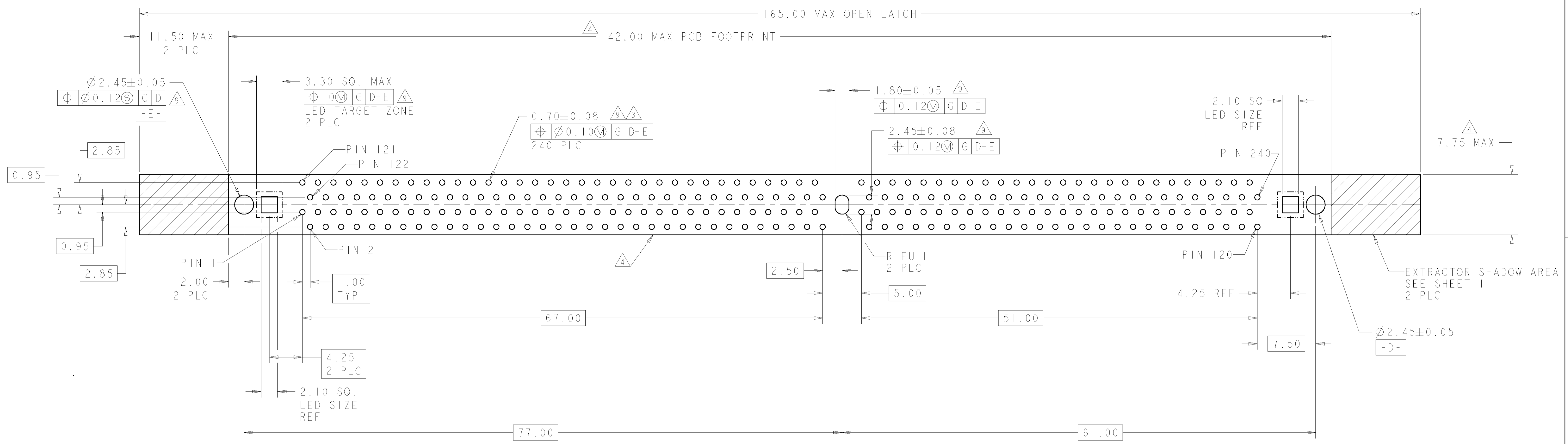
DIMENSIONS:		TOLERANCES UNLESS OTHERWISE SPECIFIED:		DWN: D. RINGLER 11FEB2004		APPR: M. YEOMANS 20SEP2005		NAME: SOCKET ASSEMBLY, VERTICAL FB DIMM, SOLDER TAIL, 240 POSITION	
mm	0 PLC ±.5	1 PLC ±0.13	2 PLC ±0.13	3 PLC ±0.13	4 PLC ±0.001	ANGLES ±.001	FINISH	SIZE: 00779	CAGE CODE: 1761024
MATERIAL:	EXTRACTOR SOLDER TAIL CONTACT GOLD INTERFACE		TAIL LENGTH		PART NUMBER		CUSTOMER DRAWING		
SCALE: 4:1		SHEET: 1 OF 3		REV: B					

LOC	DIST	REVISIONS			
P	LTR	DESCRIPTION	DATE	DWN	APVD
-	-	SEE SHEET 1	-	-	-

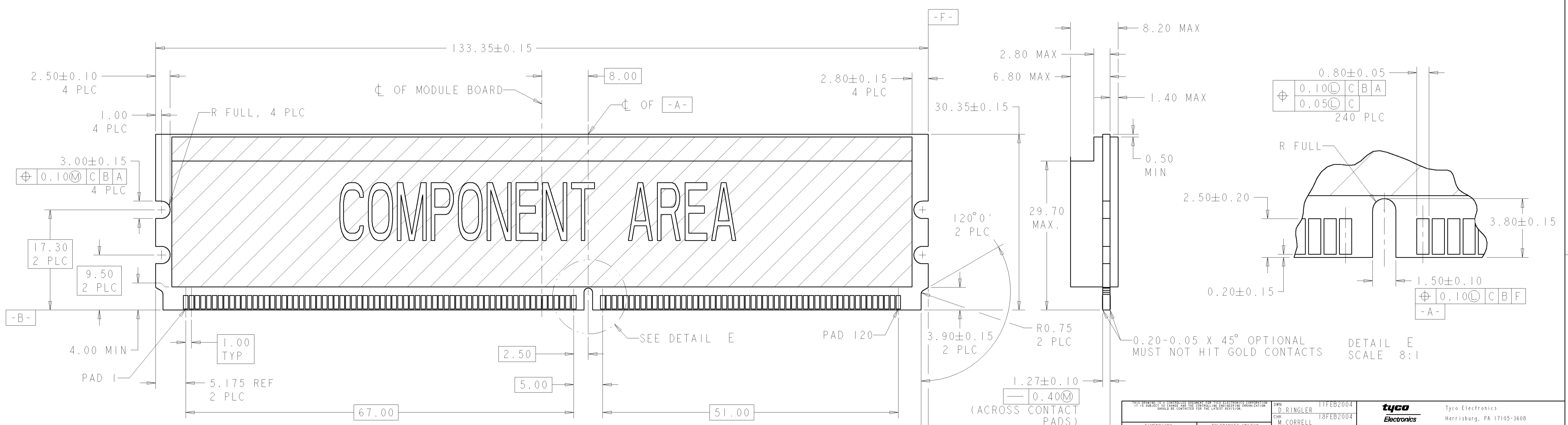


<small>THIS DRAWING IS UNPUBLISHED. RELEASED FOR PUBLICATION. THE INFORMATION IS UNCLASSIFIED UNLESS INDICATED OTHERWISE. THIS INFORMATION IS UNCLASSIFIED UNLESS INDICATED OTHERWISE. THIS INFORMATION IS UNCLASSIFIED UNLESS INDICATED OTHERWISE.</small>		DWN D. RINGLER 11FEB2004	Tyco Electronics Harrisburg, PA 17105-3608
DIMENSIONS: mm		CHK M. CORRELL 18FEB2004	NAME SOCKET ASSEMBLY, VERTICAL FB DIMM, SOLDER TAIL, 240 POSITION
TOLERANCES UNLESS OTHERWISE SPECIFIED: 0 PLC ± 1 PLC ±0.5 2 PLC ±0.13 3 PLC ±0.013 4 PLC ±0.001 ANGLES ±		APVD M. YEOMANS 20SEP2005	
MATERIAL -		FINISH -	PRODUCT SPEC 108-2214 APPLICATION SPEC 114-13154 WEIGHT - CUSTOMER DRAWING
SCALE 4:1		SHEET 2 OF 3	REV B

LOC	DIST	P	LTR	DESCRIPTION	DATE	DRN	APPR
GP	00	-	-	SEE SHEET 1	-	-	-



RECOMMENDED PCB LAYOUT  
VIEWED FROM CONNECTOR SIDE



RECOMMENDED MODULE LAYOUT  
SCALE 3:1

DIMENSIONS: mm 		TOLERANCES UNLESS OTHERWISE SPECIFIED: 0 PLC ± 1 PLC ±0.5 3 PLC ±0.13 4 PLC ±0.013 ANGLES ±0.0001		DWN D. RINGLER 11FEB2004 ENR M. CORRELL 18FEB2004 APVD M. YEOMANS 20SEP2005		<b>tyco</b> Electronics Tyco Electronics Harrisburg, PA 17105-3608	
MATERIAL: - FINISH: -		WEIGHT: - CUSTOMER DRAWING: -		PRODUCT SPEC: 108-2214 APPLICATION SPEC: 114-13154		NAME: SOCKET ASSEMBLY, VERTICAL FB DIMM, SOLDER TAIL, 240 POSITION SIZE: A1 CAGE CODE: 00779 DRAWING NO: C=1761024	
RESTRICTED TO: -				SCALE: 1:1		SHEET: 3 OF 3 REV: B	